

Instructions for use/Rules of use for swings

Horse plus a suspension beam

Product code: SI111s, SI111n, SI111z, SI111c, SI111zz, SI111g, SI111b



Attention!

TABLE OF CONTENTS

PURPOSE	3
WARNINGS.....	4-5
PRECAUTIONS.....	6
TERMINOLOGY AND EXPLANATION OF SYMBOLS.....	7
INSPECTION AND MAINTENANCE.....	8
ILLUSTRATION DRAWINGS.....	9

SAFETY INSTRUCTIONS

PURPOSE

The swing is a piece of equipment used for exercises during Sensory Integration therapy and is designed for belaying and therapeutic exercises for children with autism, ADHD, dyslexia, cerebral palsy, mental retardation, Fragile X, Down syndrome, children with Sensory Integration disorders.

It is used for the development of bilateral motor coordination, balanced reactions, eye-motor coordination, integration of tonic reflexes /especially the Tonic Muddle Reflex/ , strengthening postural muscle tone / flexors and extensors/ and general stimulation of the nervous system through strong stimulation of vestibular and proprioceptive receptors.

WARNINGS

- Please retain these instructions for use/rules of use for future reference.
- Please do not modify the unit or method of installation in any way. Changes will affect the structural integrity.
- Remove all packaging before use.
- The packaging is not a toy and must not be used by a child.
- The swing should be assembled and checked by an adult according to the instructions before use.
- Not suitable for children under 36 months. Small parts. Choking hazard.
- The product is not suitable for children under 36 months, due to the lack of additional safety features and the typical lack of foresight of young children.
- The swing may be used by children from the age of 4 years under adult supervision.
- The maximum load of the product must not exceed 90 kg.
- Improper use or use of the product contrary to its intended purpose is prohibited and releases the manufacturer from any liability. It is forbidden to use the equipment for purposes not in accordance with its intended use.
- The swing may only be used in the presence of a specially trained Sensory Integration therapist.
- The product is intended for indoor use only.
- The sensory integration therapy equipment can be used by children from the age of 3 years.
- Before using the equipment each time, the SI therapist is advised to check the condition of replaceable parts subject to wear such as the rope, thimbles, carabiner, hook and fastenings. If any damage is observed, you are asked to contact the sales company and stop using it.
- The exerciser should always wear a protective helmet, we recommend that it is worn for the duration of the therapy.
 - During therapy in which a swing is used, the therapist should always assist the practitioner. The practitioner should be assisted at the start of the exercise and also during the exercise.
- To maintain safety during therapy the swing should be suspended from a dedicated suspension so that it is at least 1 metre from the vertical posts (the legs are protected with a soft mat).
- We recommend that the swing is placed on a level, flat surface at least 2m away from any structure or obstruction such as a fence, garage, house, overhanging branches, washing strings or electrical wires. The safe zone should be free of hard objects with sharp edges or pointed ends.
- The swing should not be installed/suspended over concrete, asphalt or any other hard surface.
- The swing (seat bottom) should be suspended a minimum of 35 centimetres

above the floor surface. The swing (seat bottom) should be suspended a maximum of 50 centimetres above the floor surface.

- Measured from the ground, there must be no part of the swing at a height of 2,500 mm for a child to climb, sit or stand on.
 - Therapeutic mats or mattresses should be laid out underneath and around the unit on the floor to protect against falls.
 - All spare parts such as the carabiner, the cinch, the rope clamp if worn out should be replaced immediately by contacting the selling company.
- Each single-hook swing should be hooked up to a **swivel (product code SI303) allowing free rotation of 360 degrees around its axis to prevent damage to the equipment**

PRECAUTIONS

We recommend that the swings be suspended from a specially designed suspension for SI equipment


The safety of your clients depends on:

- properly selected and appropriate activities adapted to their physical abilities
 - working with appropriate and safe techniques
 - a correctly laid out working area
 - the correct use of equipment
 - avoiding exposure of the equipment to external factors (i.e. arson, tearing, ripping, washing with inappropriate cleaning agents) which may weaken the whole structure of the equipment
 - proper maintenance of the equipment
- The swing is not intended for :
- outdoor use
 - use without the consent, knowledge and presence of a specially trained therapist in the field of sensory integration therapy or any other person who has undergone a special course in sensory integration therapy
 - recreational use
 - use in any other manner than that specified by the sensory integration therapist

Forbidden!

- suspend swings in any other way than they are designed to be suspended
- Jump or jump on a swing.
- Rotate the swings around their own axis without a swivel specially designed for this purpose.
- Do not disturb the structure of the rope in any way.
- Make any repairs yourself.
- It is forbidden to put more than 90 kg on a swing.

TERMINOLOGY AND EXPLANATION OF SYMBOLS

SN	Serial number
	Please refer to the instructions

INSPECTION AND MAINTENANCE

The frequency of inspection and maintenance depends on the type of product, the materials used or other factors (e.g. heavy loads, wilful damage, humidity, air pollution, age of equipment, etc.). Particular attention should be paid to slings, slings, figure-eights for adjusting rope length, snap hooks, thimbles, rope sewing, ropes. Moving metal parts should be oiled regularly.

- The equipment should be kept in a place where it is not exposed to an external factor that can damage the swing (avoid humidity, avoid areas with high temperatures e.g. near a radiator,).
- It should be kept in a specially designated area, e.g. a cupboard, to avoid dirt, dust and unnecessary external natural and mechanical influences.

- The equipment must not be washed in mechanical devices.
- The equipment may only be cleaned by hand with cleaning agents that do not contain corrosive agents and are harmful to human health
- The equipment may be cleaned using a Hoover
- Routine inspection (once a week)
- Always check that bolts and nuts are securely tightened and that there are no tears, chafing or loosening.
- Check that no components are missing
- There should be no objects on the cushioning substrate under the product

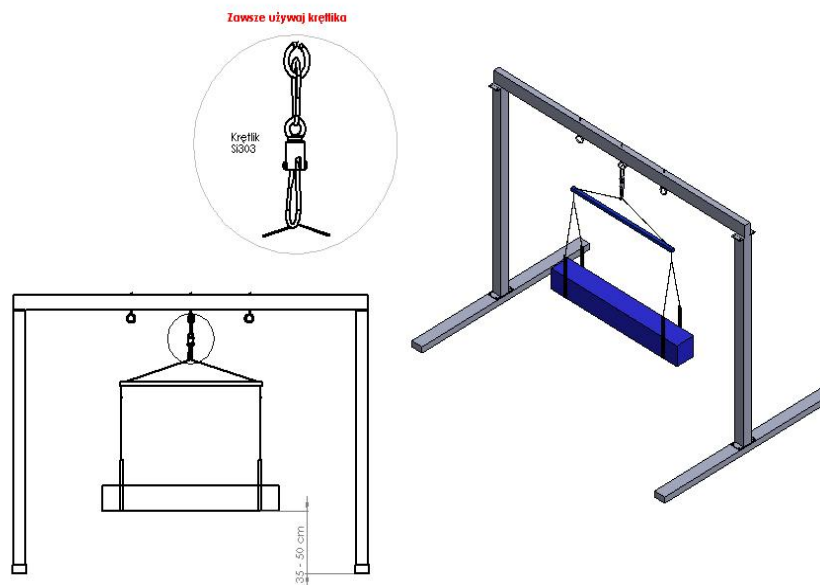
In-service inspection (once every 1 to 3 months)

- Check for structural stability
- Check for wear and tear of any parts and replace with new parts if necessary

Annual inspection (1 or 2 times a year)

- Check structural components for rust and corrosion
- All metal, load-bearing components must be checked for abrasion/scratching
- Check the wear of each part and replace with a new one if necessary.

Caution: if these checks are not carried out, the product may become a hazard.



UWAGA:

Minimalna odległość dołu Konika od podłoża to 35 cm a maksymalna to 50 cm

